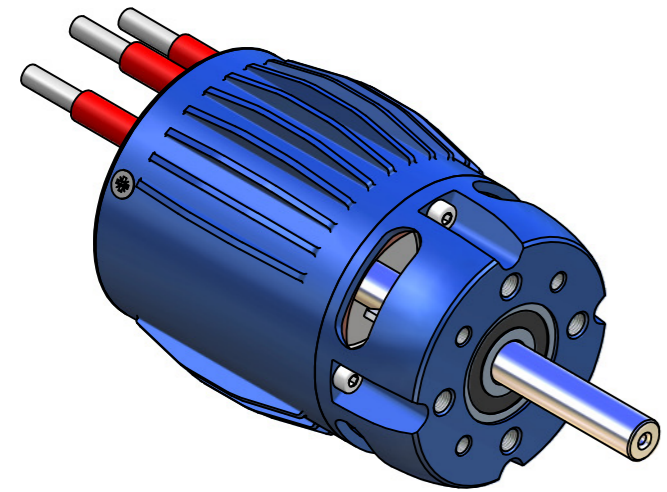
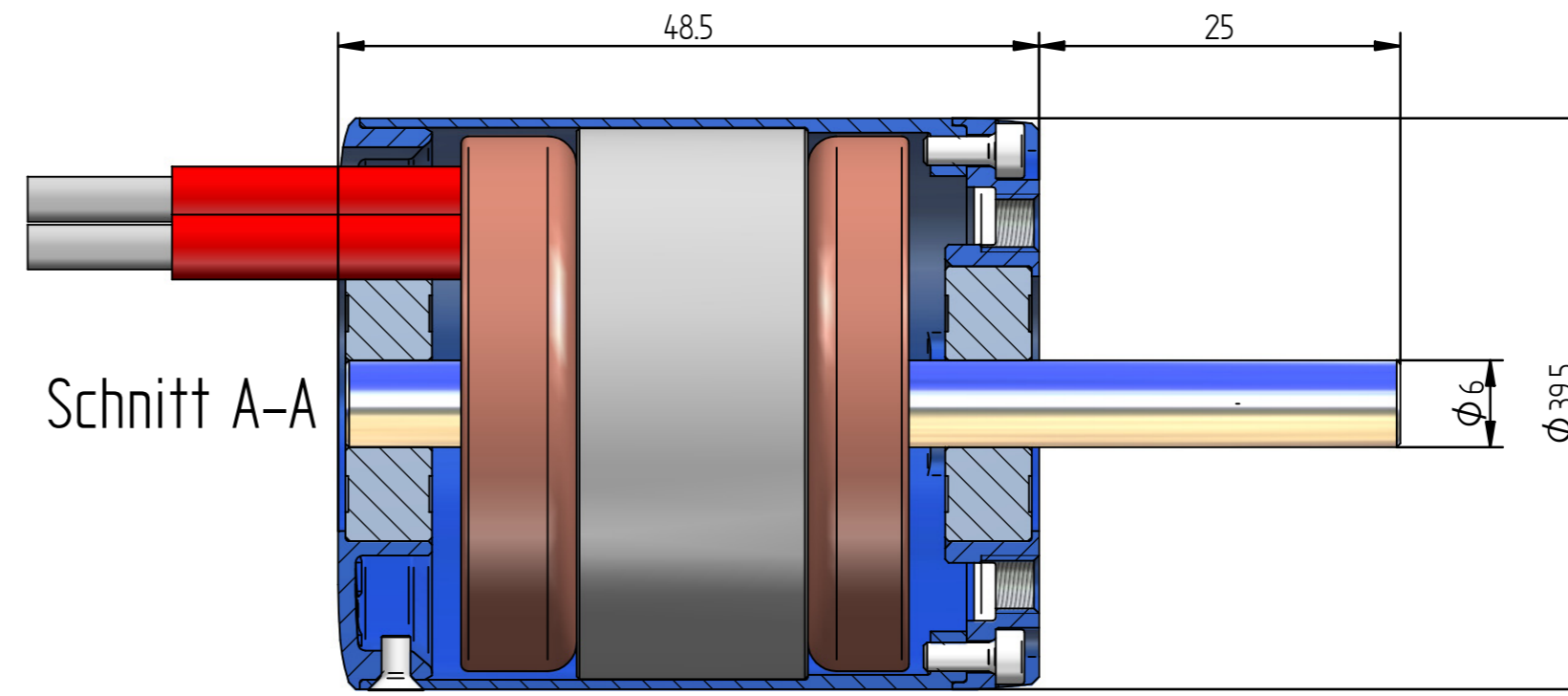
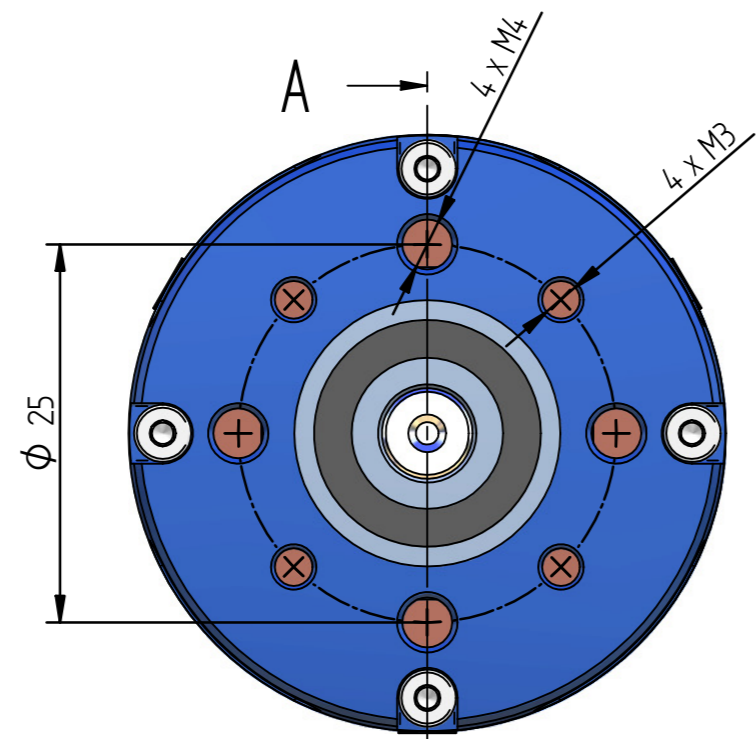
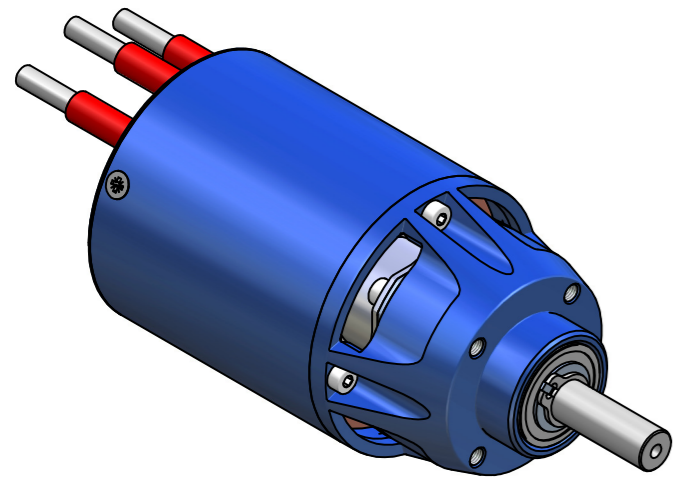
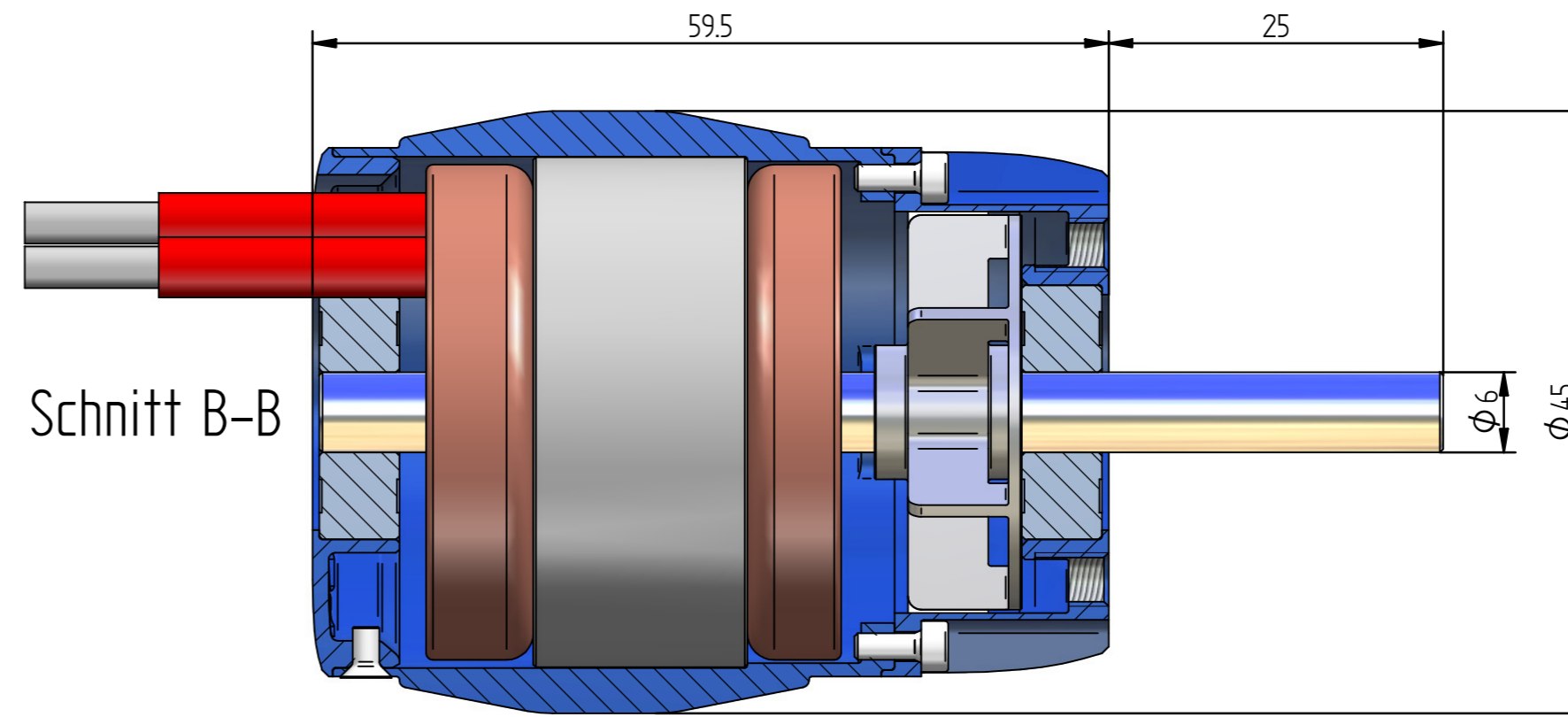
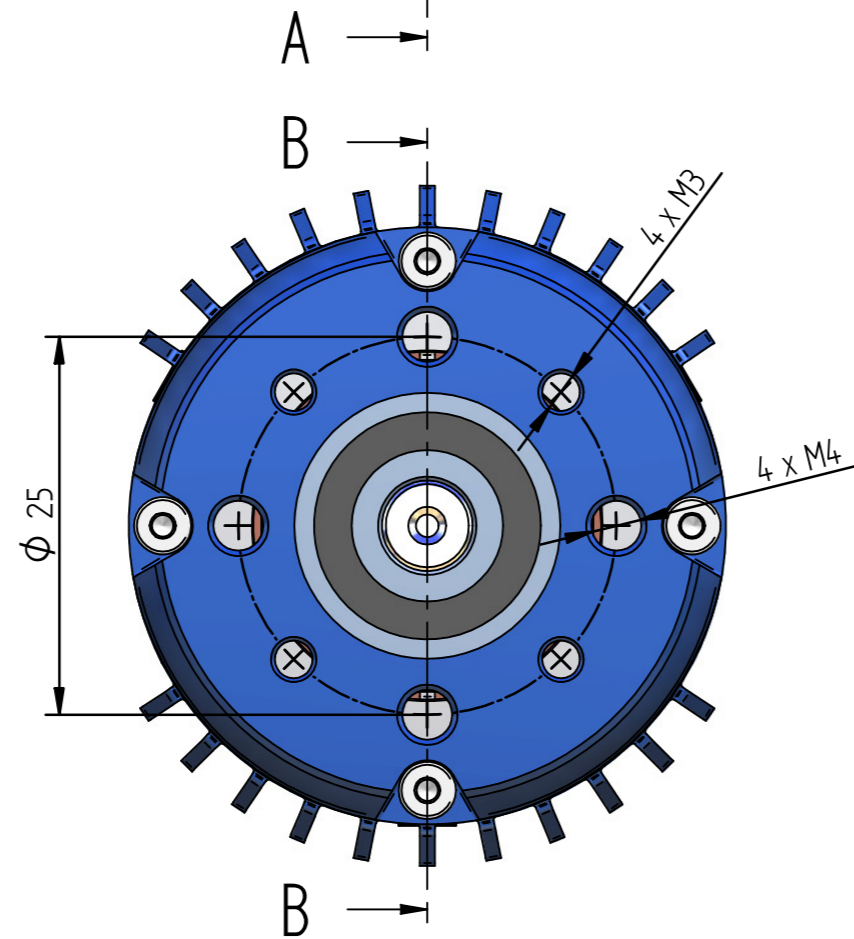


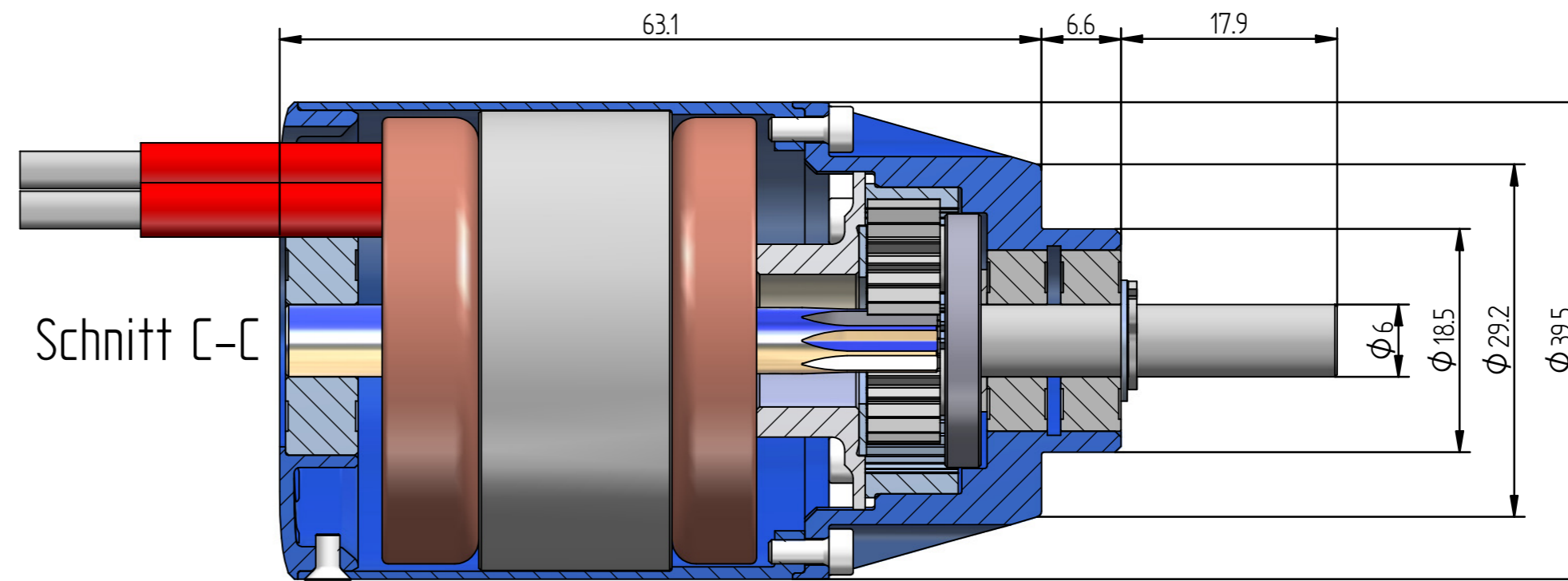
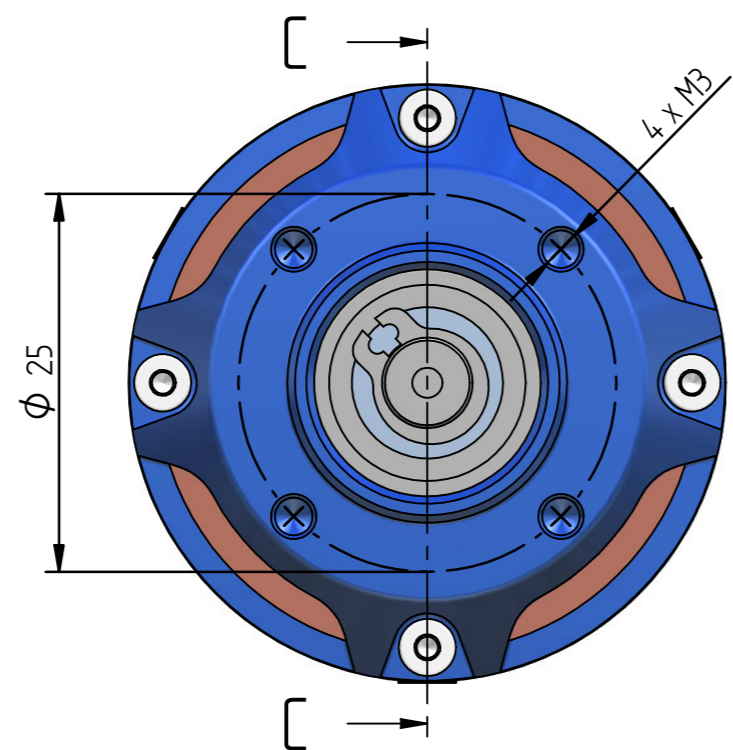
1:1  
e-motor L-4015



1:1  
e-motor L-4015C fan



1:1  
e-motor L-4015 gear



IV	III	II	I	changes are marked with an $\Delta$ -symbol including index
change history: 01) 02) 03) 04) 05)			range of application: e-motor L-40	replaced by: replacement for: file-name: drawing-no.-index_title
title: <b>main measures e-motor L-4015</b> all types			scale: 2:1 1:1	plotted: 11.02.13 DIDA checked: 11.02.13 LEO released: 11.02.13 LEO part-no.
LEOMOTION Leomotion GmbH Jakob Stutz Strasse 46 CH-8335 Hiltinau			The unauthorised use or disclosure to third parties, reproduction, or passing on of individual content items or complete pages without express authority is strictly forbidden	format: <b>2</b> drawing-no.: <b>4015.100</b> index: <b>00</b>