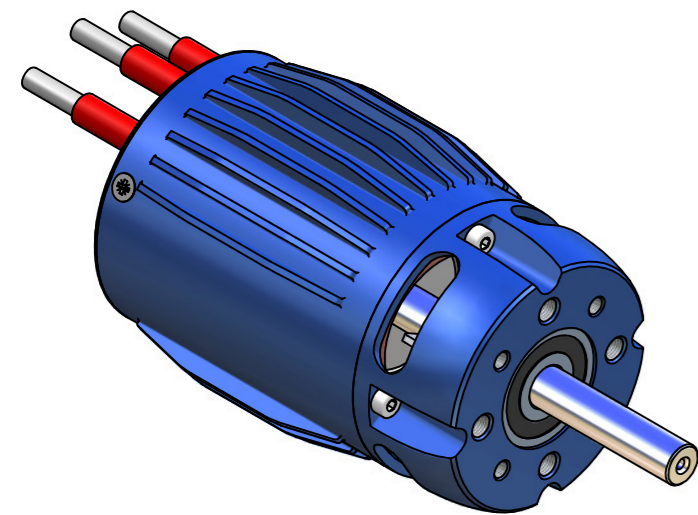
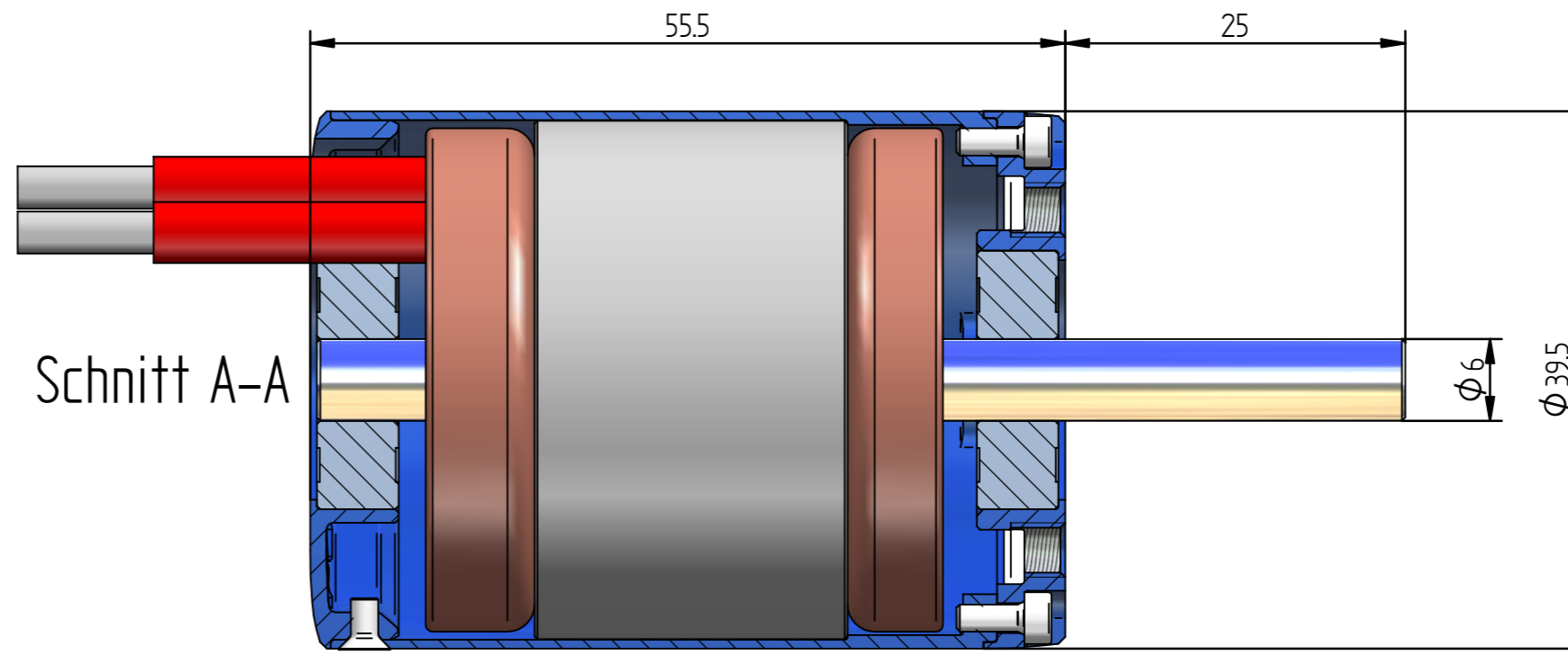
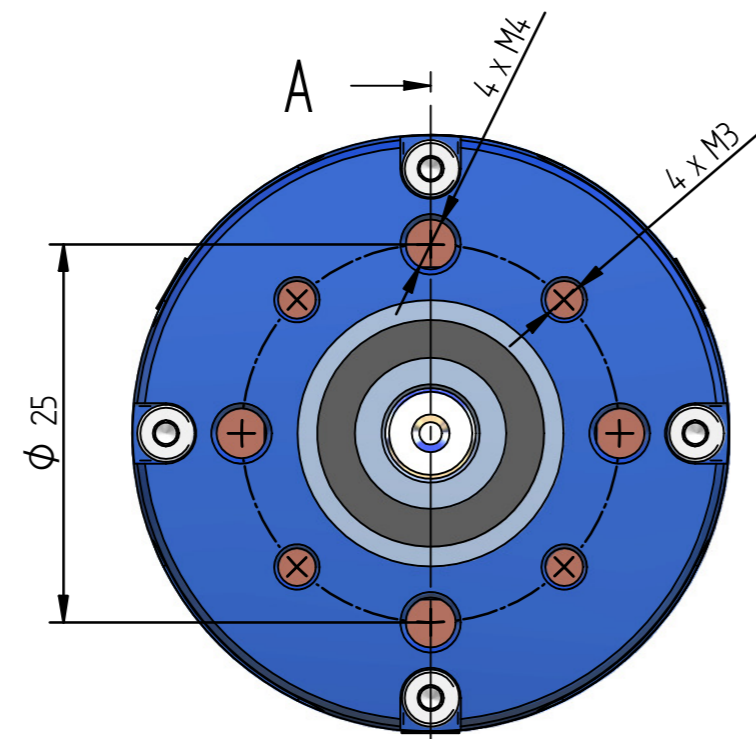
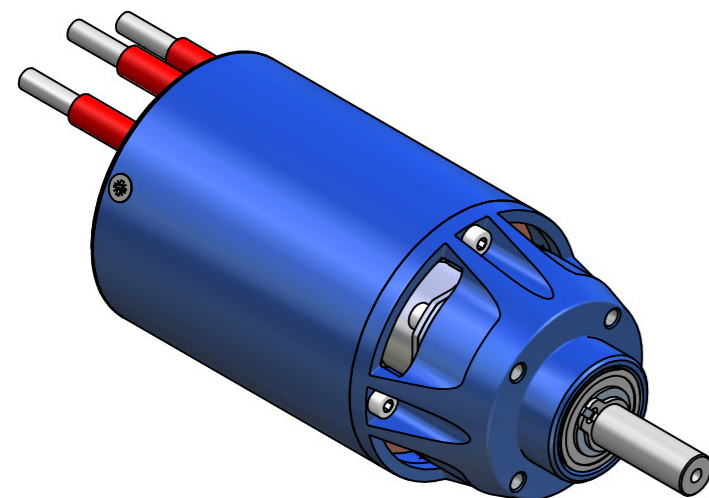
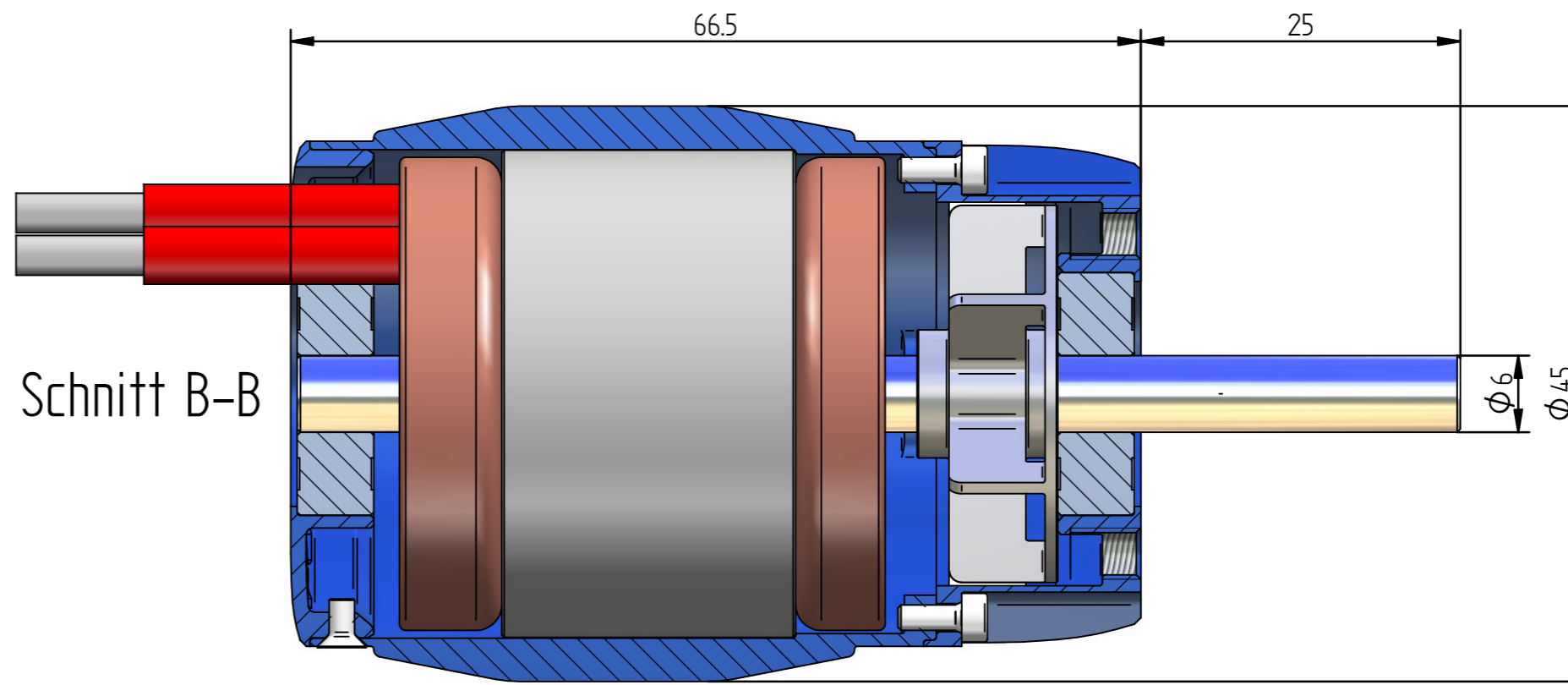
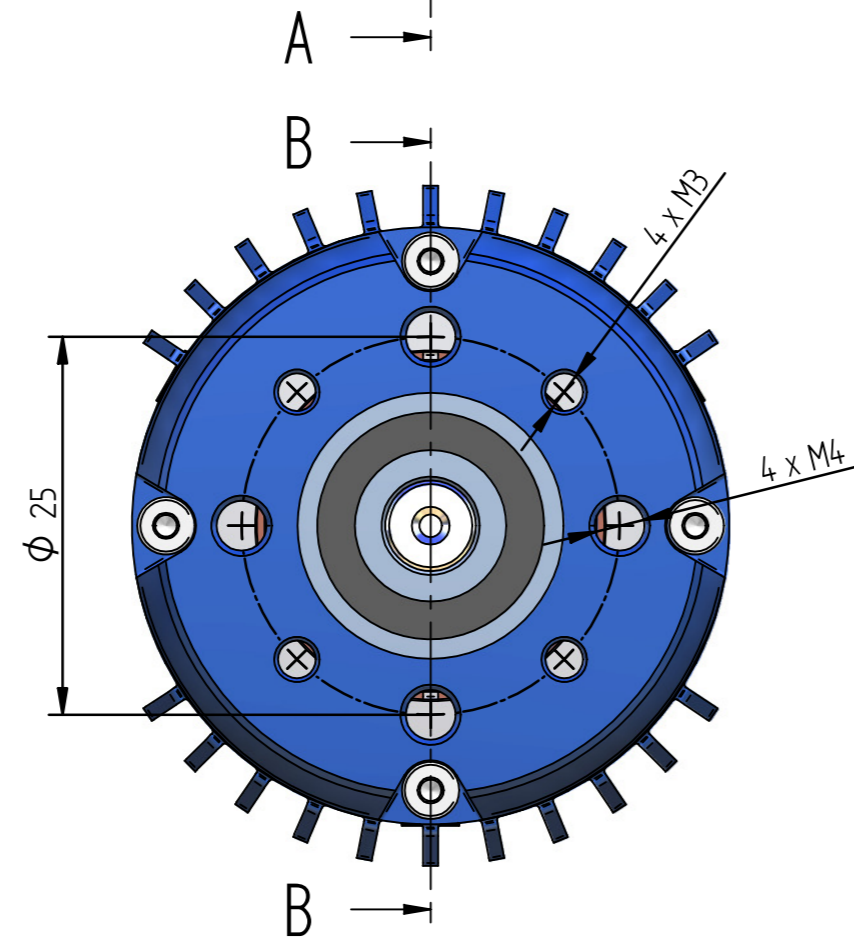


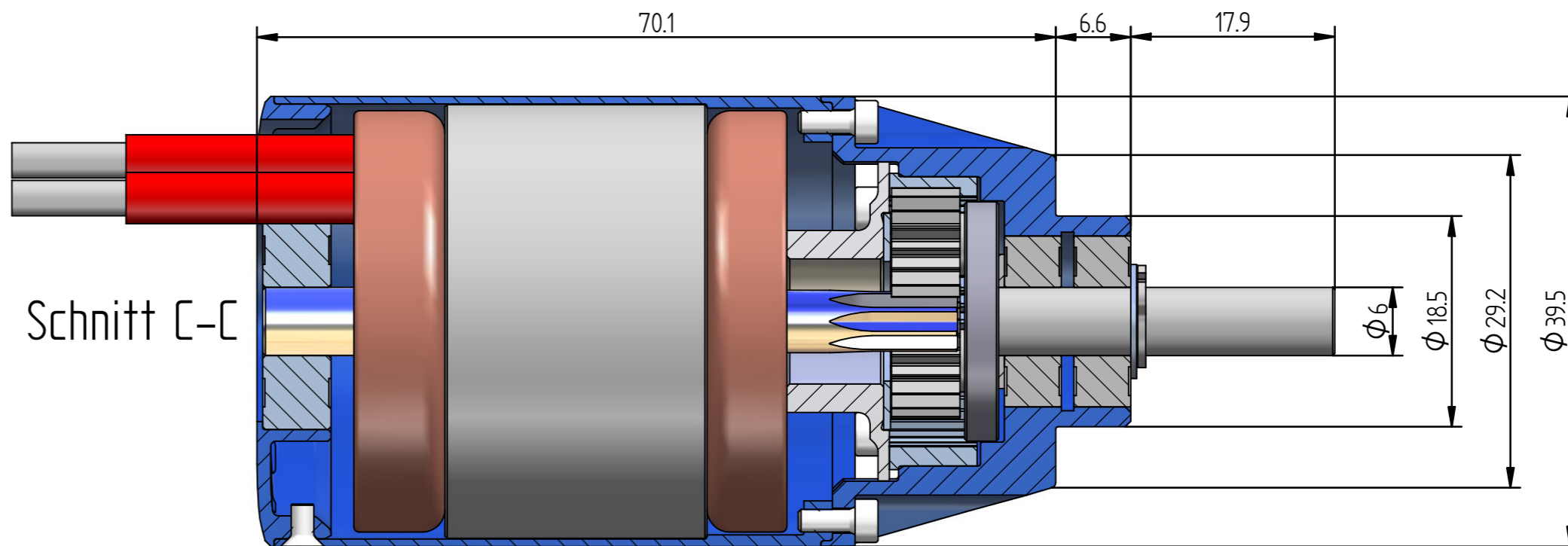
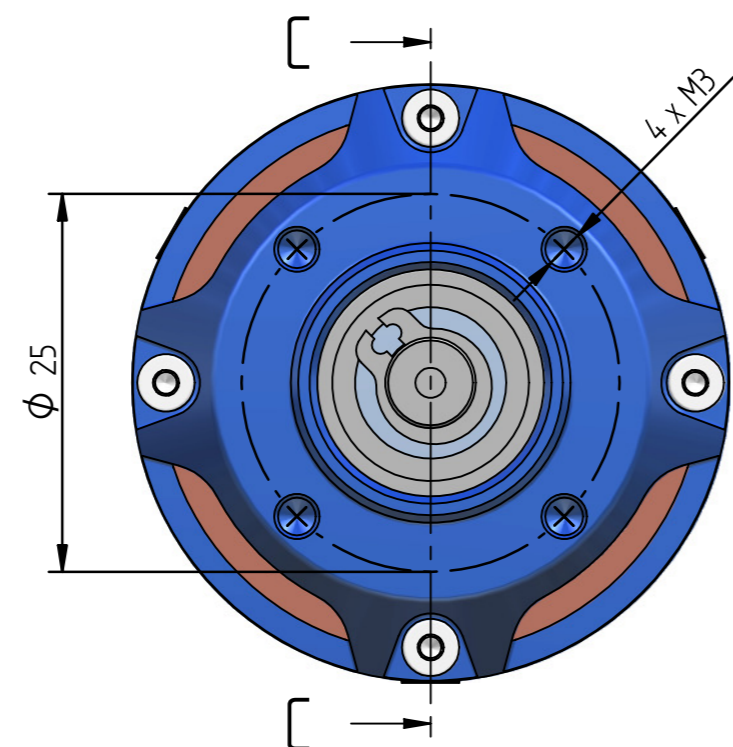
1:1
e-motor L-4023



1:1
e-motor L-4023C fan



1:1
e-motor L-4023 gear



IV	III	II	I	changes are marked with an Δ -symbol including index
				change history: 01) 02) 03) 04) 05)
				range of application: replaced by: e-motor L-40
				file-name: drawing-no.-index_title
				title: main measures e-motor L-4023 all types
				scale: plotted: 11.02.13 DIDA checked: 11.02.13 LEO released: 11.02.13 LEO part-no.
				format: drawing-no. index 2 4023.100 00
				LEOMOTION Leomotion GmbH Jakob Stutz Strasse 46 CH-8335 Hilttau
				The unauthorised use or disclosure to third parties, reproduction, or passing on of individual content items or complete pages without express authority is strictly forbidden