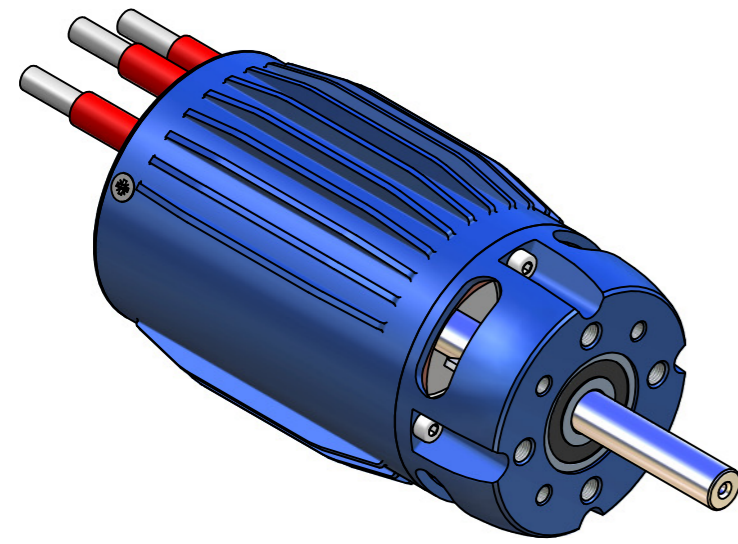
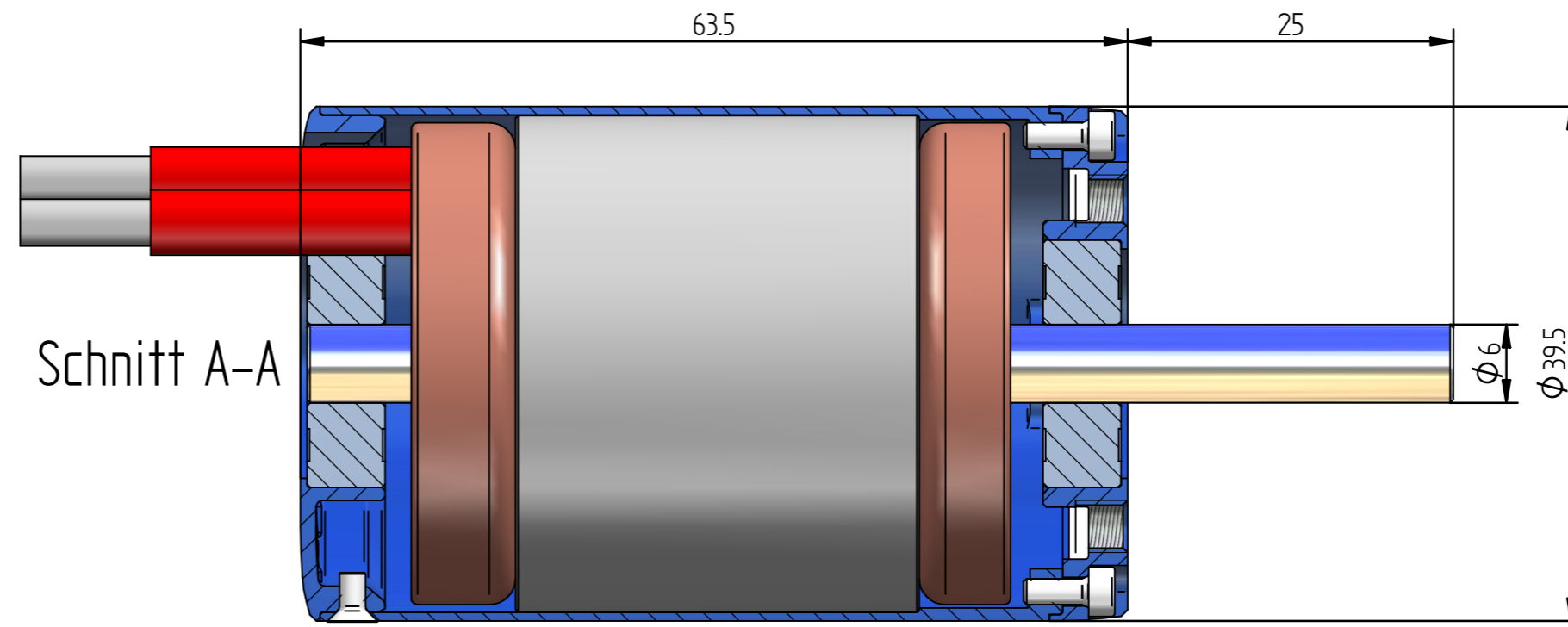
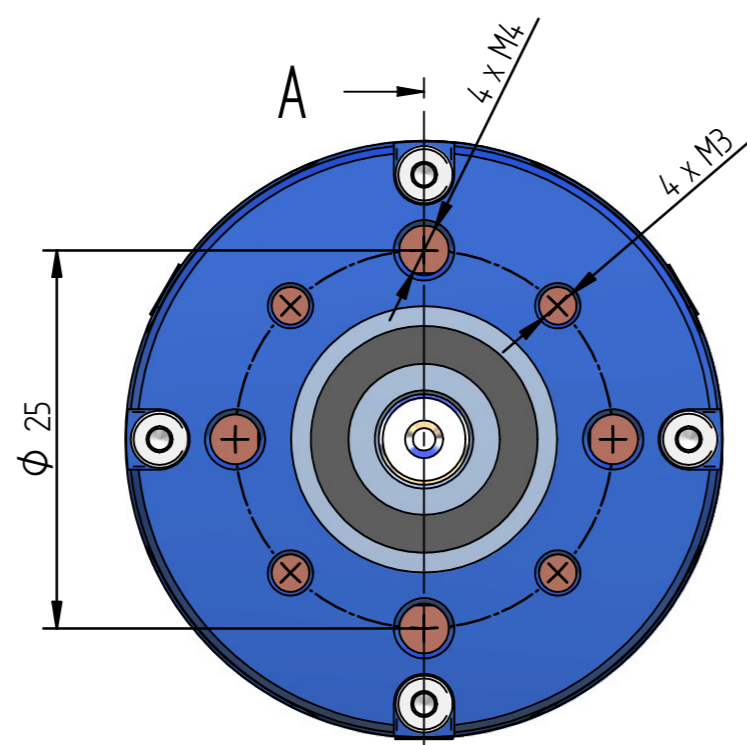
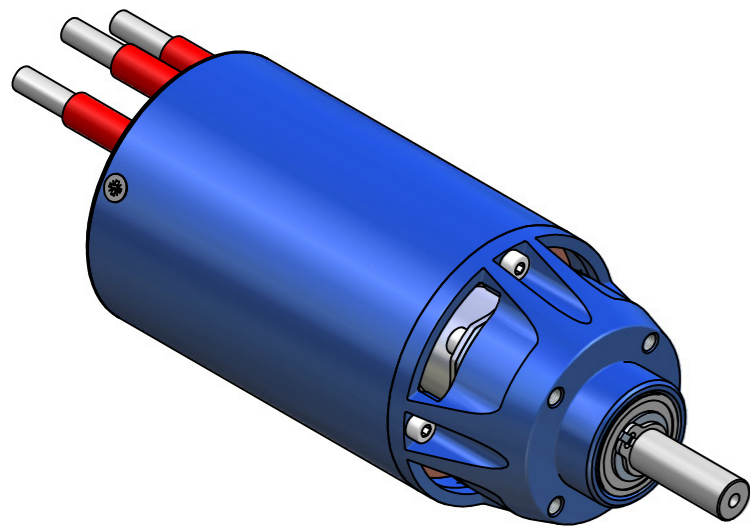
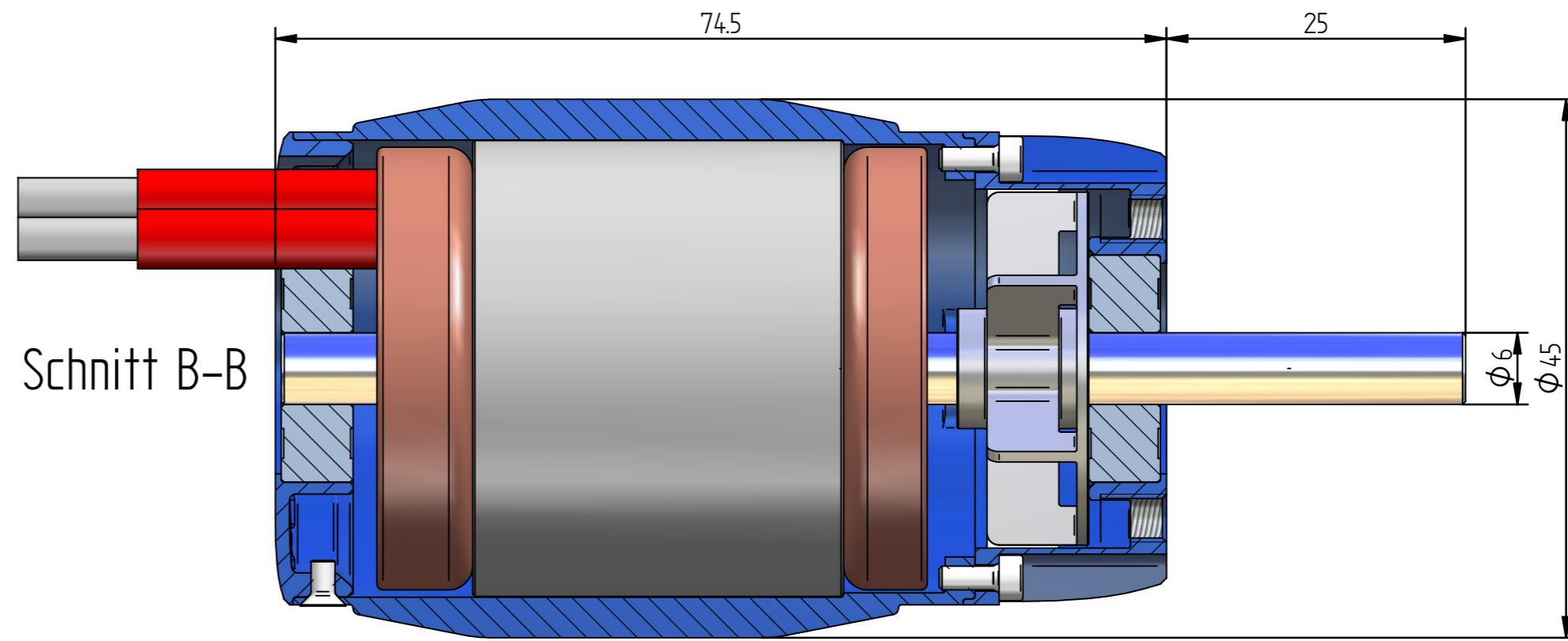
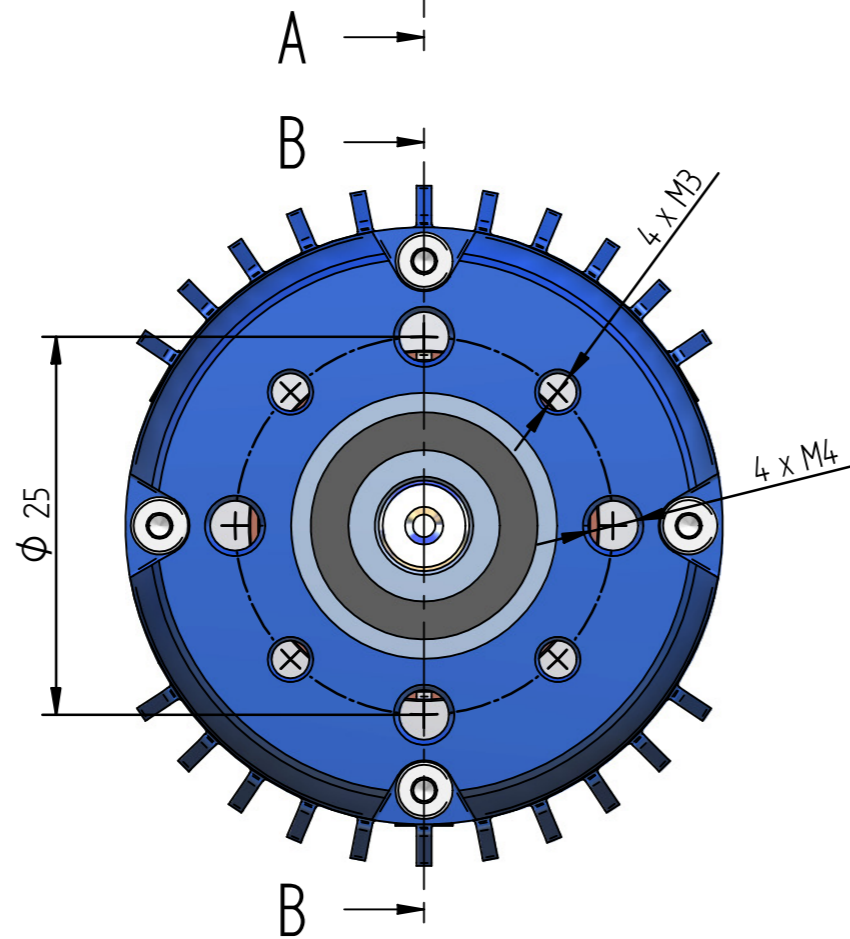


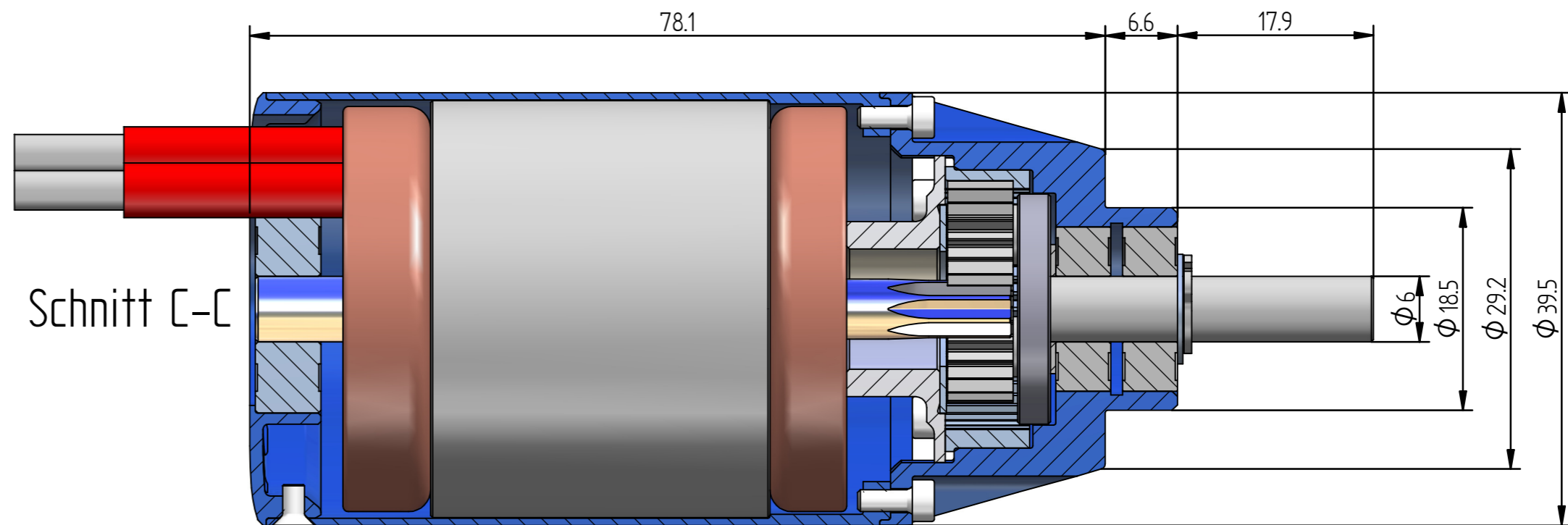
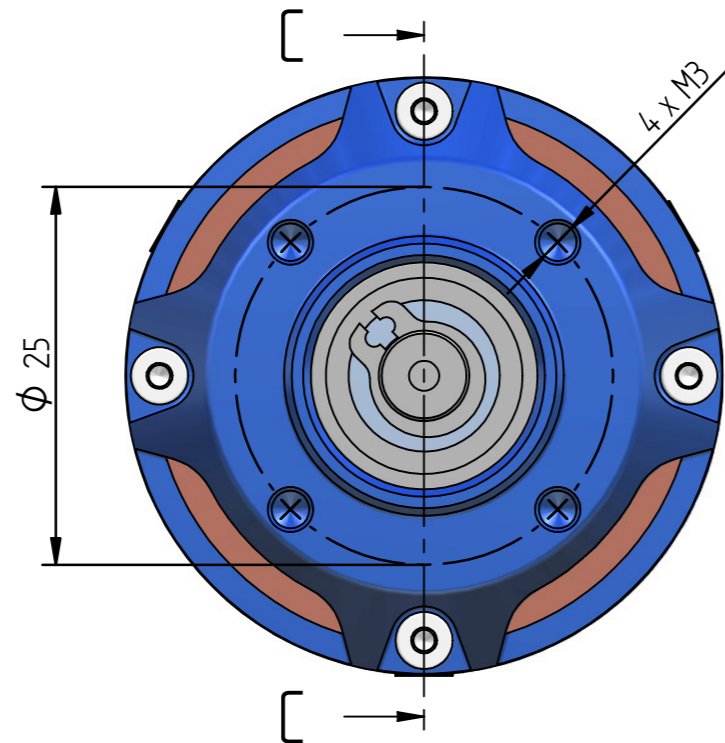
1:1
e-motor L-4031



1:1
e-motor L-4031C fan



1:1
e-motor L-4031 gear



IV	III	II	I	changes are marked with an Δ -symbol including index
change history: 01) 02) 03) 04) 05)			range of application: e-motor L-40	replaced by:
title: main measures e-motor L-4031 all types			scale: 2:1 1:1	file-name: drawing-no.-index_title
LEOMOTION Leomotion GmbH Jakob Stutz Strasse 46 CH-8335 Hiltinau			The unauthorised use or disclosure to third parties, reproduction, or passing on of individual content items or complete pages without express authority is strictly forbidden	format 2 drawing-no. 4031.100 index 00
			plotted: 12.02.13 DIDA	checked: 12.02.13 LEO
			released: 12.02.13 LEO	part-no.